

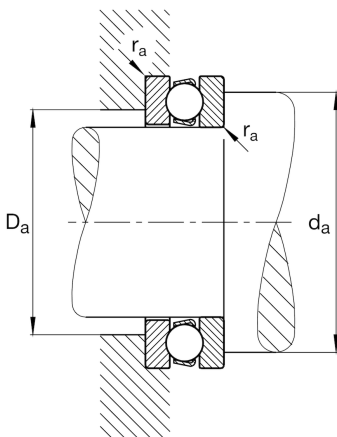
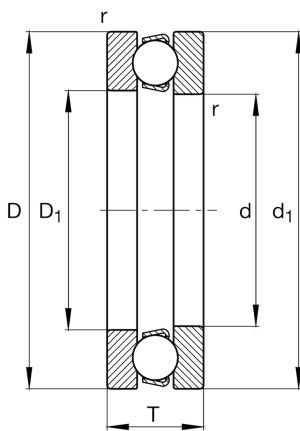
FAG

51120

Axial deep groove ball bearing

Schaeffler ID:  
0167148220000Axial deep groove ball bearing 511, single  
direction, steel sheet metal cage

## Technical information



## Main Dimensions &amp; Performance Data

|          |             |                                  |
|----------|-------------|----------------------------------|
| d        | 100 mm      | Inner diameter shaft washer      |
| D        | 135 mm      | Outer diameter housing washer    |
| T        | 25 mm       | Height                           |
| $C_a$    | 85.000 N    | Basic dynamic load rating, axial |
| $C_{0a}$ | 270.000 N   | Basic static load rating, axial  |
| $C_{ua}$ | 11.300 N    | Fatigue load limit, axial        |
| $n_G$    | 3.500 1/min | Limiting speed                   |
| $n_{gr}$ | 3.100 1/min | Reference speed                  |
|          | 0,992 kg    | Weight                           |

## Dimensions

|           |        |                               |
|-----------|--------|-------------------------------|
| $r_{min}$ | 1 mm   | Minimum chamfer dimension     |
| $D_1$     | 102 mm | Inner diameter housing washer |
| $d_1$     | 135 mm | Outer diameter shaft washer   |

## Mounting dimensions

|             |        |                                      |
|-------------|--------|--------------------------------------|
| $d_{a min}$ | 121 mm | Minimum diameter shaft shoulder      |
| $D_{a max}$ | 114 mm | Maximum diameter of housing shoulder |
| $r_{a max}$ | 1 mm   | Maximum filled radius                |

## Calculation factors

|   |      |                     |
|---|------|---------------------|
| A | 0,36 | Minimum load factor |
|---|------|---------------------|

## Temperature range

|           |        |                            |
|-----------|--------|----------------------------|
| $T_{min}$ | -30 °C | Operating temperature min. |
| $T_{max}$ | 150 °C | Operating temperature max. |